

TP6930

PDM Mode of USB Audio

Application Note

tenx reserves the right to change or discontinue the manual and online documentation to this product herein to improve reliability, function or design without further notice. tenx does not assume any liability arising out of the application or use of any product or circuit described herein; neither does it convey any license under its patent rights nor the rights of others. tenx products are not designed, intended, or authorized for use in life support appliances, devices, or systems. If Buyer purchases or uses tenx products for any such unintended or unauthorized application, Buyer shall indemnify and hold tenx and its officers, employees, subsidiaries, affiliates and distributors harmless against all claims, cost, damages, and expenses, and reasonable attorney fees arising out of, directly or indirectly, any claim of personal injury or death associated with such unintended or unauthorized use even if such claim alleges that tenx was negligent regarding the design or manufacture of the part.

AMENDMENT HISTORY

| Version | Date | Description |
|----------------|-------------|--------------------|
| V1.0 | Jul, 2012 | New release |

CONTENTS

AMENDMENT HISTORY.....2

PRODUCT NAME4

TITLE.....4

APPLICATION NOTE.....4

1. TP6930 SOP-28P 功能描述4

 (1) PDM 設定：.....4

 (2) 按鍵功能：.....4

 (3) LED 功能：.....5

 (4) ADC 功能：.....5

 (5) AUDIO 輸出喇叭：8Ω.....6

 (6) 應用線路圖：.....6

2. TP6930 SOP-20P 功能描述7

 (1) PDM 設定：.....7

 (2) LED 功能：.....7

 (3) ADC 功能：.....8

 (4) AUDIO 輸出喇叭：8Ω.....8

 (5) 應用線路圖：.....9

PRODUCT NAME

TP6930

TITLE

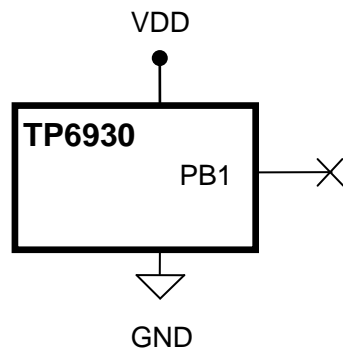
PDM Mode of USB Audio

APPLICATION NOTE

1. TP6930 SOP-28P 功能描述

(1) PDM 設定：

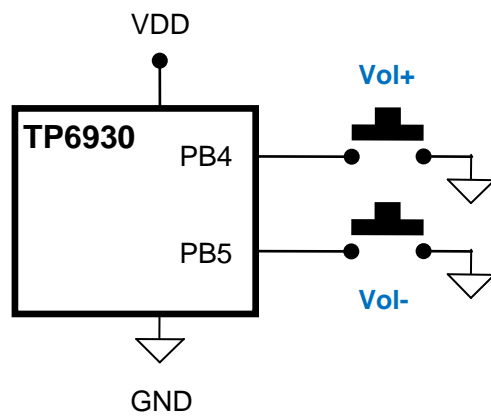
PB1：空接



(2) 按鍵功能：

PB4：調整音量大聲

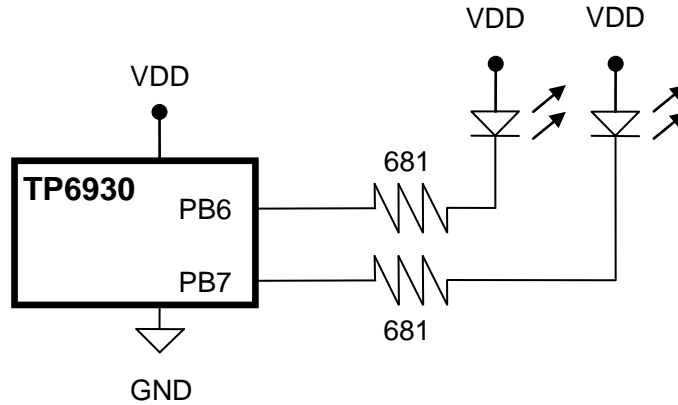
PB5：調整音量小聲



(3) LED 功能：

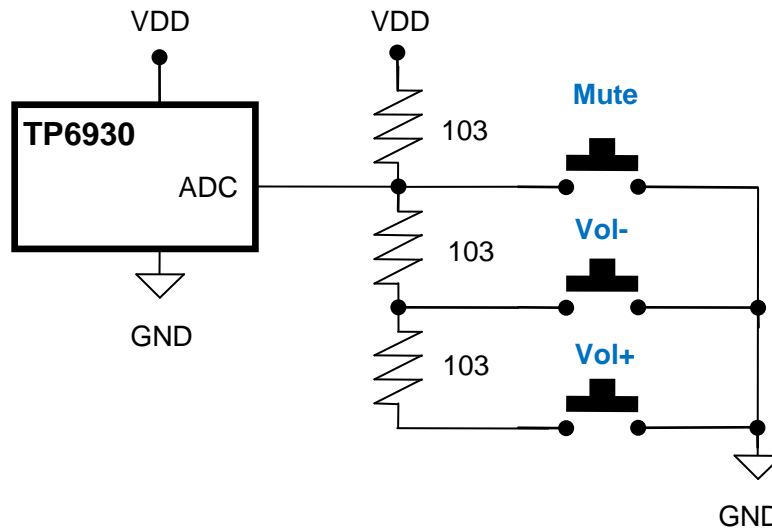
PB6：不放音時恆暗，放音時閃爍

PB7：不放音時恆亮，放音時閃爍

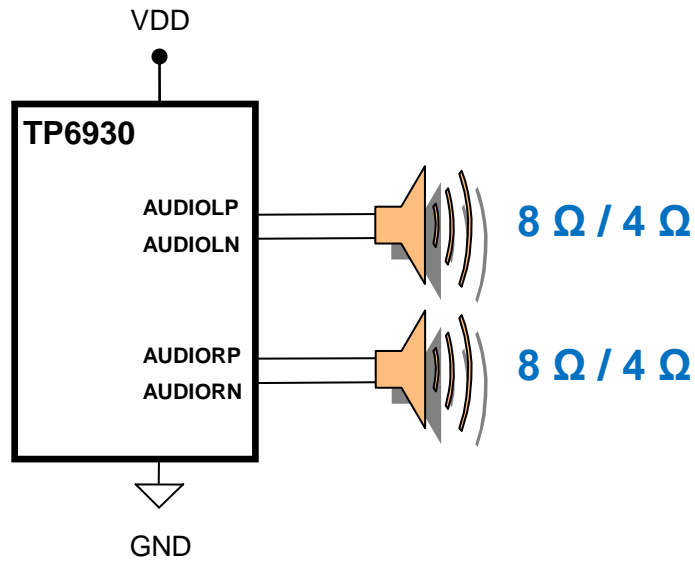


(4) ADC 功能：

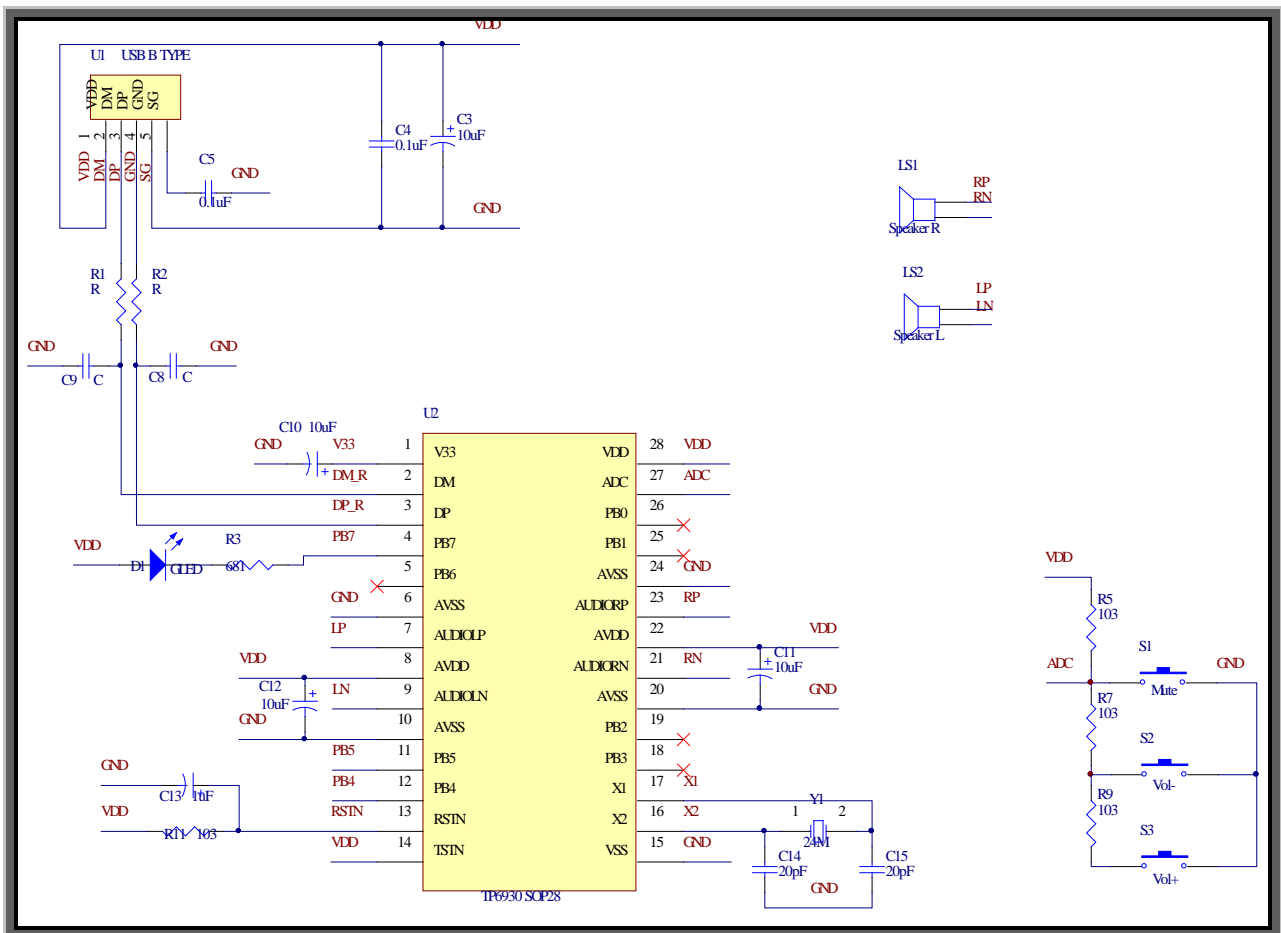
音量調整功能 Vol+、Vol-、Mute，若不需按鍵功能請將此腳位 Pull High 至 VDD



(5) AUDIO 輸出喇叭：8Ω



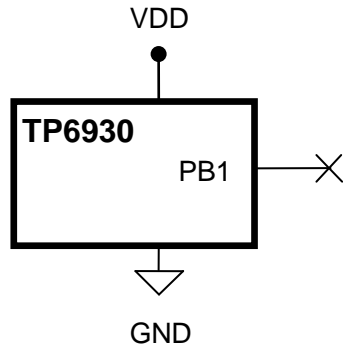
(6) 應用線路圖：



2. TP6930 SOP-20P 功能描述

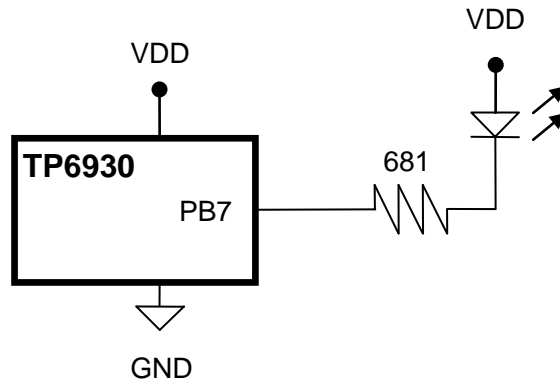
(1) PDM 設定：

PB1：空接



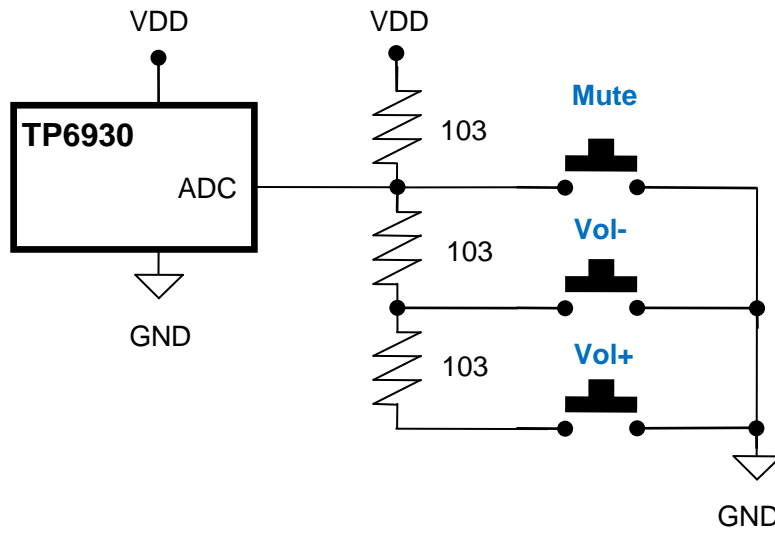
(2) LED 功能：

PB7：不放音時恆亮，放音時閃爍

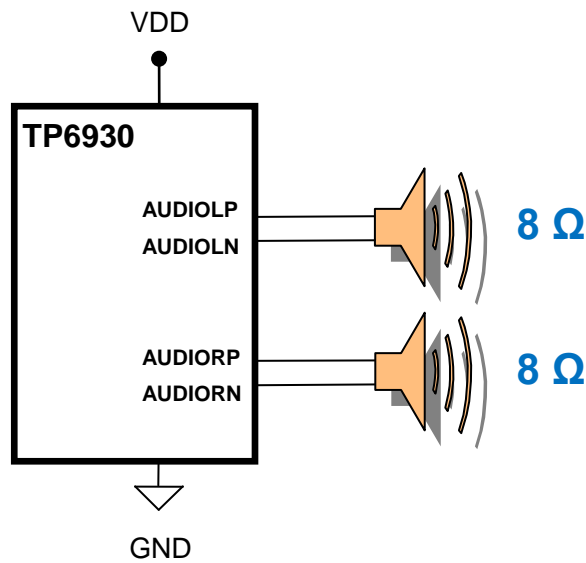


(3) ADC 功能：

音量調整功能 Vol+、Vol-、Mute，若不需按鍵功能請將此腳位 Pull High 至 VDD



(4) AUDIO 輸出喇叭：8Ω



(5) 應用線路圖：

