

TMU3102MS

General Purpose

USB Controller within OCS

Data Sheet

tenx reserves the right to change or discontinue the manual and online documentation to this product herein to improve reliability, function or design without further notice. Tenx does not assume any liability arising out of the application or use of any product or circuit described herein; neither does it convey any license under its patent rights nor the rights of others. Tenx products are not designed, intended, or authorized for use in life support appliances, devices, or systems. If Buyer purchases or uses tenx products for any such unintended or unauthorized application, Buyer shall indemnify and hold tenx and its officers, employees, subsidiaries, affiliates and distributors harmless against all claims, cost, damages, and expenses, and reasonable attorney fees arising out of, directly or indirectly, any claim of personal injury or death associated with such unintended or unauthorized use even if such claim alleges that tenx was negligent regarding the design or manufacture of the part.

AMENDMENT HISTORY

Version	Date	Description
V1.0	Nov, 2004	New release
V1.1	June, 2005	1. Change 'Tx1618' name to 'TMU3102MS' 2. Removed I/O drive/sink capacity illustration 3. Modify R-plane PDOSC sink current value 4. Modify ROM 4K*14 5. Modify Vbin(min)=2.0V
V1.2	Mar, 2006	Modify the value of PD Vih(min)=3.0V
V1.3	Mar, 2009	Add SOP20/24 Package dimension
V1.4	Dec, 2011	Add Ordering Information table.

CONTENTS

AMENDMENT HISTORY2

GENERAL DESCRIPTION4

FEATURES4

BLOCK DIAGRAM4

PIN DESCRIPTION5

PIN ASSIGNMENT6

FUNCTIONAL DESCRIPTION7

 1. CPU Core7

 2. I/O Port11

 3. Power Down Mode13

 4. Watch Dog Timer13

 5. Timer 013

 6. Internal Wakeup Timer13

 7. Internal Oscillator Operation13

 8. USB Engine14

MEMORY MAP of F-Plane16

MEMORY MAP of R-Plane17

ABSOLUTE MAXIMUM RATINGS18

RECOMMEND OPERATING CONDITION18

DC ELECTRICAL CHARACTERISTICS18

USB TIMING / ELECTRICAL CHARACTERISTICS19

Package Diagrams20

Bonding Diagram (TMU3102MS)21

Ordering Information22

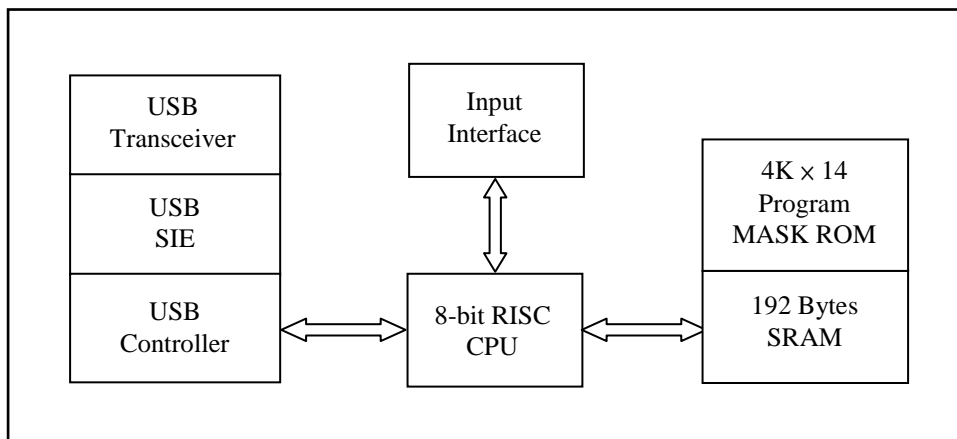
GENERAL DESCRIPTION

The TMU3102MS is an 8-bit microprocessor embedded device tailored to the USB general purpose application. It includes an 8-bit RISC CPU core, 192-byte SRAM, Low Speed USB Interface and a 4K x 14 internal ROM.

FEATURES

- Compliance with the Universal Serial Bus specification v1.1
- Built-in USB Transceiver without external pull-up resistor and 3.3V regulator
- Support USB Suspend and Resume function
- One Control IN/OUT and one Interrupt IN endpoints
- PS2 compatible mouse interface share with USB interface
- 192 byte internal SRAM
- 4K x 14 internal Mask ROM
- 8-bit RISC CPU core with only 36 instruction
- Internal Oscillator 6MHz±1.5% operation without external components.
- 3MHz instruction rate with 6MHz crystal oscillation.
- Support internal wake up timer for power saving.
- Dice form or 18/20/24 PDIP/SOP package

BLOCK DIAGRAM



PIN DESCRIPTION

Name	I/O	Description
VDD	P	5V Power from USB cable
VSS	P	Ground
X1	I	Test/OTP mode clock in
RC6M	O	Internal clock output (6MHz)
VPP	I	OTP programming power
V33	O	3.3V regulator output
DP/PB[3]	I/O	USB positive data signal / General purpose I/O (pseudo open-drain)
DM/PB[2]	I/O	USB negative data signal / General purpose I/O (pseudo open-drain)
PB[1:0]/ PB[7:4]	I/O	General purpose I/O (pseudo open-drain)
PD[7:0]	I/O	Multi-function I/O (pseudo open-drain, Push-pull output, Input from pin or comparator.)

PIN ASSIGNMENT

PD[0]	1	U	18	PD[4]
PD[1]	2		17	PD[5]
PD[2]	3		16	PD[6]
PD[3]	4	TMU3102MS	15	PD[7]
PB[0]	5	18 pin	14	PB[1]
VSS	6		13	DP/PB[3]
VPP	7		12	DM/PB[2]
V33	8		11	VDD
X1	9		10	RC6M

PD[0]	1	U	20	PD[4]
PD[1]	2		19	PD[5]
PD[2]	3		18	PD[6]
PD[3]	4		17	PD[7]
PB[4]	5	TMU3102MS	16	PB[1]
PB[0]	6	20 pin	15	PB[5]
VSS	7		14	DP/PB[3]
Vpp	8		13	DM/PB[2]
V33	9		12	VDD
X1	10		11	RC6M

PD[0]	1	U	24	PD[4]
PD[1]	2		23	PD[5]
PD[2]	3		22	PD[6]
PD[3]	4		21	PD[7]
PB[4]	5		20	PB[1]
PB[6]	6	TMU3102MS	19	PB[5]
PB[0]	7	24 pin	18	PB[7]
N.C.	8		17	N.C.
VSS	9		16	DP/PB[3]
Vpp	10		15	DM/PB[2]
V33	11		14	VDD
X1	12		13	RC6M

FUNCTIONAL DESCRIPTION

1. CPU Core

1.1 Clock Scheme and Instruction Cycle

The clock input (X1) is internally divided by two to generate Q1 state and Q2 state for each instruction cycle. The Programming Counter (PC) is updated at Q1 and the instruction is fetched from program ROM and latched into the instruction register in Q2. It is then decoded and executed during the following Q1-Q2 cycle.

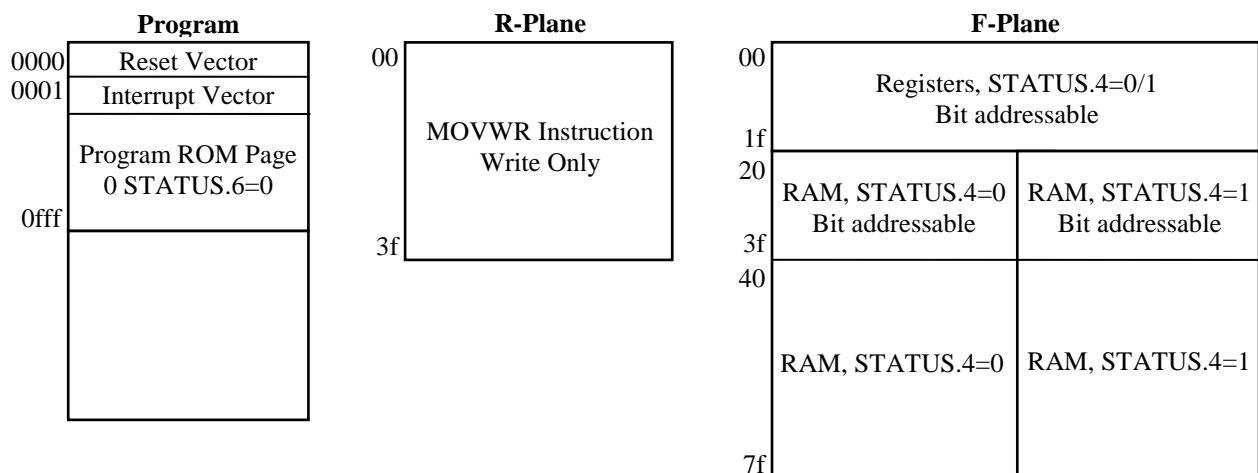
1.2 Programming Counter (PC) and Stack

The Programming Counter is 13-bit wide capable of addressing a 4K x 14 program ROM. As a program instruction is executed, the PC will contain the address of the next program instruction to be executed. The PC value is normally increased by one except the followings. The Reset Vector (0) and the Interrupt Vector (1) are provided for PC initialization. For CALL/GOTO instructions, PC loads its lower 12 bits from instruction word and the MSB from STATUS's bit 6. For RET/RETI/RETLW instructions, PC retrieves its content from the top level STACK. For the other instructions updating PC[7:0], the PC[12:8] keeps unchanged.

The STACK is 13-bit wide and 6-level in depth. The CALL instruction and Hardware interrupt will push STACK level in order, While the RET/RETI/RETLW instruction pops the STACK level in order.

1.3 Addressing Mode

There are two Data Memory Plane in CPU, R-Plane and F-Plane. The registers in R-Plane are write-only. The "MOVWR" instruction copy the W-register's content to those registers by direct addressing mode. Registers in F-Plane can be addressed directly or indirectly. Indirect Addressing is made by address "0", where FSR points to an actual address. The first half of F-Plane is also bit-addressable.



1.4 ALU and Working (W) Register

The ALU is 8 bits wide and capable of addition, subtraction, shift and logical operations. In two-operand instructions, typically one operand is the W register, which is an 8-bit non-addressable register used for ALU operations. The other operand is either a file register or an immediate constant. In single operand instructions, the operand is either W register or a file register.

Depending on the instruction executed, the ALU may affect the values of Carry(C), Digit Carry(DC), and Zero(Z) Flags in the STATUS register. The C and DC flags operate as a /Borrow and /Digit Borrow, respectively, in subtraction.

1.5 STATUS Register

This register contains the arithmetic status of ALU and the page select for Program ROM and Data RAM. The STATUS register can be the destination for any instruction, as with any other register. If the STATUS register is the destination for an instruction that affects the Z, DC or C bits, then the write to these three bits is disabled. These bits are set or cleared according to the device logic. It is recommended, therefore, that only BCF, BSF and MOVWF instructions be used to alter the STATUS Register because these instructions do not affect those bits.

1.6 Interrupt

Each interrupt source has its own enable control bit. An interrupt event will set its individual flag. If the corresponding interrupt enable bit has been set, it would trigger CPU to service the interrupt. CPU accepts interrupt in the end of current executed instruction cycle. In the mean while, A "CALL 0001" instruction is inserted to CPU, and the I-flag is set to prevent recursive interrupt nesting. The I-flag is cleared in the instruction after the "RETI" instruction. That is, at least one instruction in main program is executed before service the pending interrupt. The interrupt event is level triggered. F/W must clear the interrupt event register while serves the interrupt routine.

1.7 Instruction Set

Each instruction is a 14-bit word divided into an OPCODE, which specified the instruction type, and one or more operands, which further specify the operation of the instruction. The instructions can be categorized as byte-oriented, bit-oriented and literal operations list in the following table.

For byte-oriented instructions, "f" represents address designator and "d" represents destination designator. The address designator is used to specify which address in F-Plane is to be used by the instruction. The destination designator specifies where the result of the operation is to be placed. If "d" is "0", the result is placed in the W register. If "d" is "1", the result is placed in the address specified in the instruction.

For bit-oriented instructions, "b" represents a bit field designator, which selects the number of the bit affected by the operation, while "f" represents the address designator.

For literal operations, "k" represents the literal or constant value.

For "MOVWR" instruction, "r" specifies which address in R-Plane is to be used by the instruction.

All instructions are single cycle except for program branches, which are two-cycle.

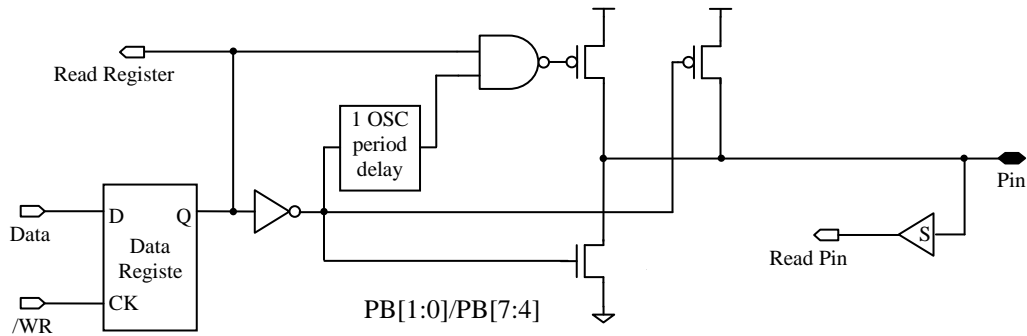
Mnemonic	Op Code	Cycles	Flag Affect	Description
NOP	00 0000 0 00000000	1	-	No operation
SLEEP	00 0000 0 0000011	1		Go into standby mode, Clock oscillation stops
CLRWDT	00 0000 0 0000100	1		Clear and enable Watch Dog Timer
MOVWR r	00 0000 0 0rrrrrr	1	-	Move W to “r”
RET	00 0000 0 1000000	2	-	Return
RETI	00 0000 0 1100000	2	-	Return from interrupt
MOVWF f	00 0000 1 fffffff	1	-	Move W to “f”
CLRW	00 0001 0 1000000	1	Z	Clear W
CLRF f	00 0001 1 fffffff	1	Z	Clear “f”
SUBWF f,d	00 0010 d fffffff	1	C,DC,Z	Subtract W from “f”
DECF f,d	00 0011 d fffffff	1	Z	Decrement “f”
IORWF f,d	00 0100 d fffffff	1	Z	OR W with “f”
ANDWF f,d	00 0101 d fffffff	1	Z	AND W with “f”
XORWF f,d	00 0110 d fffffff	1	Z	XOR W with “f”
ADDWF f,d	00 0111 d fffffff	1	C,DC,Z	Add W and “f”
MOVFW f	00 1000 0 fffffff	1	-	Move “f” to “w”
TESTZ f	00 1000 1 fffffff	1	Z	Test if “f” is zero
COMF f,d	00 1001 d fffffff	1	Z	Complement “f”
INCF f,d	00 1010 d fffffff	1	Z	Increment “f”
DECFSZ f,d	00 1011 d fffffff	1 or 2	-	Decrement “f”, skip if zero
RRF f,d	00 1100 d fffffff	1	C	Rotate right “f” through carry
RLF f,d	00 1101 d fffffff	1	C	Rotate left “f” through carry
SWAPF f,d	00 1110 d fffffff	1	-	Swap high/low nibble of “f”
INCFSZ f,d	00 1111 d fffffff	1 or 2	-	Increment “f”, skip if zero
BCF f,b	010 00 bbb fffffff	1	-	Clear “b” bit of “f”
BSF f,b	010 01 bbb fffffff	1	-	Set “b” bit of “f”
BTFSC f,b	010 10 bbb fffffff	1 or 2	-	Test “b” bit of “f”, skip if clear
BTFSS f,b	010 11 bbb fffffff	1 or 2	-	Test “b” bit of “f”, skip if set
RETLW k	011 000 kkkkkkkk	2	-	Return, place Literal “k” in W
MOVLW k	011 001 kkkkkkkk	1	-	Move Literal “k” to W
IORLW k	011 010 kkkkkkkk	1	Z	OR Literal “k” with W
ANDLW k	011 011 kkkkkkkk	1	Z	AND Literal “k” with W
ADDLW k	011 100 kkkkkkkk	1	C,DC,Z	Add Literal “k” to W
XORLW k	011 111 kkkkkkkk	1	Z	XOR Literal “k” with W
CALL k	10 kkkk kkkkkkkk	2	-	Call subroutine “k”
GOTO k	11 kkkk kkkkkkkk	2	-	Jump to branch “k”

2. I/O Port

2.1 PB[1:0]/PB[7:4]

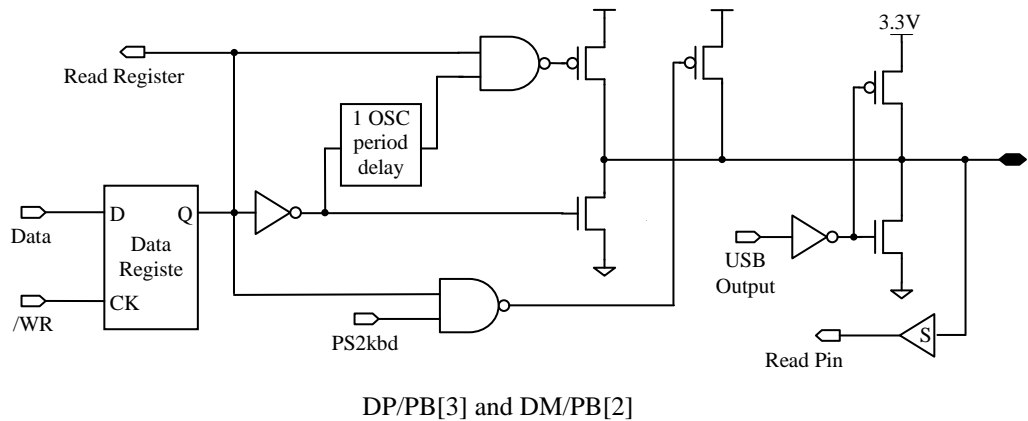
These pins are “Pseudo-Open-Drain” structure. In “Read-Modify-Write” instruction, CPU actually reads the output data register. In the others instructions, CPU reads the pin data. The so-called “Read-Modify-Write” instruction includes BSF, BCF and all instructions using F-Plane as destination.

The PB[0] pin can also generate interrupt (PB0int) at its falling edge.



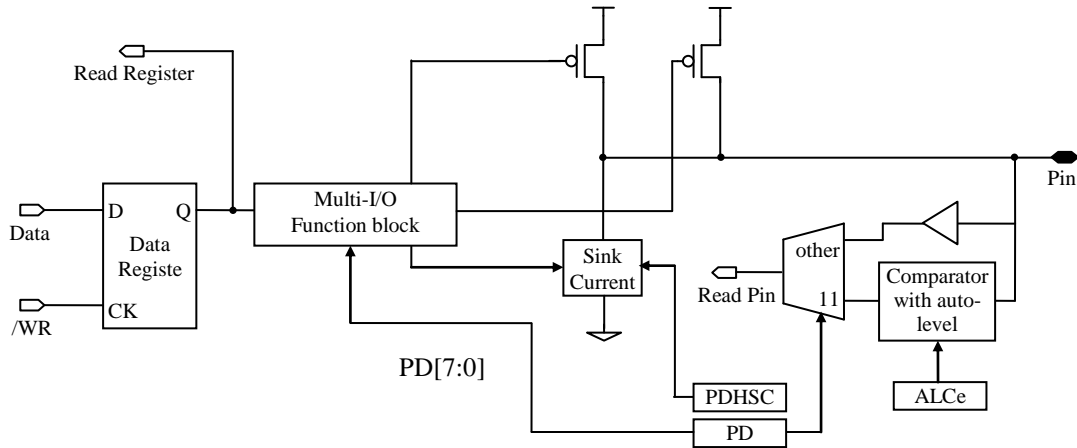
2.2 DP/PB[3] and DM/PB[2]

These pins are similar to PB[1:0], except they share the pin with USB function. An extra control bit “PS2kbd” is used to enable the small pull-up current.



2.3 PD[7:0]

The attributions of I/O pins are defined to be multi-function for adapting different application. The PD MODE defines the I/O type as below. If is “pseudo open drain” structure, the function are similar to PB, only different is sink capability, the sink capability of pin can be control form corresponding PDHSC register. The read path can be read from output data latch or pin data. About the comparator with auto-level function is very suitable for mouse application, PD[0]/PD[1] must be grouped to mapping X1/X2 or Y1/Y2, PD[2]/PD[3] also must mapping the rest axis. When PD[3:0] operating on comparator with auto level function, this ALCe register must be set, clear ALCe register to disable this function for saving power.



PD[7:0] I/O type	PD MODE	Output		Read	Note
		HIGH	LOW		
Pseudo open drain	00	5mA->30uA	PDHSC=0, Low Sink	Output data register or pin data	PD[5:0]: Low sink=8mA, High sink=30mA
Push-pull output	01	5mA	PDHSC=1, High Sink	Output data register	PD[7:6]: Low sink=16mA High sink=50mA
Input, read from pin	10	N.A.	N.A.	Pin data	
Input, read from comparator	11	N.A.	N.A.	Pin data	PD[7:4] unavailable

3. Power Down Mode

The power down mode is activated by SLEEP instruction. In power down mode, the crystal clock oscillation stops to minimize power consumption. Power down mode can be terminated by Reset or enabled Interrupts.

4. Watch Dog Timer

The Watch Dog Timer (WDT) is disabled after Reset. F/W can use the CLRWDT instruction to clear and enable the Watch Dog Timer. Once enabled, the Watch Dog Timer overflow and generate a chip reset signal if no CLRWDT executed in a period of 4000000 oscillator's cycle (0.66 second for 6MHz crystal). The WDT does not work in Power Down Mode to provide wake-up function. It is only designed to prevent F/W goes into endless loop.

5. Timer 0

The Timer 0 is an 8-bit wide register of F-Plane. It can be read or written as any other register of F-Plane. Besides, Timer 0 increases itself periodically and reloads itself with a special value every time while roll over. The value to be load at roll over point is defined by "Timer 0 Reload" (TORLD) register in the R-Plane. The period which Timer 0 increases itself is defined by "Timer 0 Pre-Scale" (TOPSCL) register in R-Plane, the default (0) mean 4 instruction cycles increase Timer 0. The Timer 0 also generates interrupt (T0int) while it rolls over.

6. Internal Wakeup Timer

TMU3102MS is built-in a nonstop internal RC oscillator whose period is around 50ms. It may be used for periodic polling TMU3102MS on mouse application. While enter power down mode, crystal clock oscillation is stop. If enable the WKT interrupt, when wakeup timer overflow will generate wakeup interrupt and WKTint=1. Write any to CLRWKT register can clear this wakeup timer.

7. Internal Oscillator Operation

After power-on, the internal oscillator will provide $6\text{MHz} \pm 10\%$ frequency. On USB mode, if set EN_USB=1, the frequency will automatically tune to $6\text{MHz} \pm 1.5\%$ according the USB bus traffic. When sleep mode occurs, the internal oscillator is stopping and RC6M is keep high.

8. USB Engine

The USB engine includes the Serial Interface Engine (SIE), the low-speed USB I/O transceiver and the 3.3 Volt Regulator. The SIE block performs most of the USB interface function with only minimum support from F/W. Three endpoints are supported. Endpoint 0 is used to receive and transmit control (including SETUP) packets while Endpoint 1 is only used to transmit data packets.

The USB SIE handles the following USB bus activity independently:

1. Bitstuffing/unstuffing
2. CRC generation/checking
3. ACK/NAK
4. TOKEN type identification
5. Address checking

F/W handles the following tasks:

1. Coordinate enumeration by responding to SETUP packets
2. Fill and empty the FIFOs
3. Suspend/Resume coordination
4. Verify and select DATA toggle values

8.1 USB Device Address

The USB device address register (USBadr) stores the device's address. This register is reset to all 0 after chip reset. F/W must write this register a valid value after the USB enumeration process.

8.2 Endpoint 0 receive

After receiving a packet and placing the data into the Endpoint 0 receive FIFO (RC0FIFO), TMU3102MS updates the Endpoint 0 status registers to record the receive status and then generates an Endpoint 0 receive interrupt (RC0int). F/W can read the status register for the recent transfer information, which includes the data byte count (RC0cnt), data direction (EP0dir), SETUP token flag (EP0set), packet toggle (RC0tgl) and data valid flag (RC0err). The received data is always stored into RC0FIFO and the RC0cnt is always updated for DATA packets following SETUP tokens. The data following an OUT token is written into the RC0FIFO, and the RC0cnt is updated unless Endpoint 0 STALL (EP0stall) is set or Endpoint 0 receive ready (RC0rdy) is cleared. The SIE clears the RC0rdy automatically and generates RC0int interrupt when the RC0cnt or RC0FIFO is updated. As long as the RC0rdy is cleared, SIE keep responding NAK to Host's Endpoint 0 OUT packet request. F/W should set the RC0rdy flag after the RC0int interrupt is asserted and RC0FIFO is read out.

8.3 Endpoint 0 transmit

After detecting a valid Endpoint 0 IN token, TMU3102MS automatically transmit the data pre-stored in the Endpoint 0 transmit FIFO (TX0FIFO) to the USB bus if the Endpoint 0 transmit ready flag (TX0rdy) is set and the EP0stall is cleared. The number of byte to be transmitted depends on the Endpoint 0 transmit byte count register (TX0cnt). The DATA0/1 token to be transmitted depends on the Endpoint 0 transmit toggle control bit (TX0tgl). After the TX0FIFO is updated, TX0rdy should be set to 1. This enables the TMU3102MS to respond to an Endpoint 0 IN packet. TX0rdy is cleared and an Endpoint 0 transmit interrupt (TX0int) is generated once the USB host acknowledges the data transmission. The interrupt service routine can check TX0rdy to confirm that the data transfer was successful.

8.4 Endpoint 1 transmit

Endpoint1 is capable of transmit only. These endpoints are enabled when the Endpoint1 configuration control bit (EP1cfg) is set. After detecting a valid Endpoint 1 IN token, TMU3102MS automatically transmit the data pre-stored in the Endpoint 1 transmit FIFO (TX1FIFO) to the USB bus if the Endpoint 1 transmit ready flag (TX1rdy) is set and the EP1stall is cleared. The number of byte to be transmitted depends on the Endpoint 1 transmit byte count register (TX1cnt). The DATA0/1 token to be transmitted depends on the Endpoint 1 transmit toggle control bit (TX1tgl). After the TX1FIFO is updated, TX1rdy should be set to 1. This enables the TMU3102MS to respond to an Endpoint 1 IN packet. TX1rdy is cleared and an Endpoint 1 transmit interrupt (TX1int) is generated once the USB host acknowledges the data transmission. The interrupt service routine can check TX1rdy to confirm that the data transfer was successful.

8.5 USB Control and Status

Other USB control bits include the USB enable (ENUSB), Suspend (Susp), Resume output (RsmO), Control Read (CtrRD), and corresponding interrupt enable bits. The CtrRD should be set when program detects the current transfer is an Endpoint0 Control Read Transfer. Once this bit is set, the TMU3102MS will stall an Endpoint0 OUT packet with DATA toggle 0 or byte count other than 0. Other USB status flag includes the USB reset interrupt (RSTint), Resume input interrupt (RSMint), and USB Suspend interrupt (SUSPint).

8.6 Suspend and Resume

Once the Suspend condition is asserted, F/W can set the Susp bit to save the power consumption of USB Engine. F/W can further save the device power by force the CPU to go into the Power Down Mode. In the Power Down mode, the X'tal is stop, but CPU can be waken-up by the trigger of enabled interrupt's source, which includes RSMint, KBDint and PB0int.

The TMU3102MS send Resume signaling to USB bus when Susp=1 and RsmO=1. In the suspend mode, if a valid interrupt is asserted, F/W should send resume signal to wake up the USB bus.

Some PCs send Reset wakeup instead of Resume under Suspend condition, TMU3102MS will first service RSMint, at the same time RSTint flag is set after several clocks.

8.7 Interrupt flags

Perform byte operation (movwf, andwf, xorwf...) to clear interrupt flags for F-plane 0x11, 0x12. Write 0 to clear mapping interrupt flag, if write 1 don't affect mapping interrupt flag status. Avoid using bit clear(BCF) to clear interrupt flags.

MEMORY MAP of F-Plane

Name	Address	R/W	Rst	Description
IndF	00.7~0	-	-	Indirect Register
Timer0	01.7~0	R/W	0	Timer 0
PCL	02.7~0	R/W	0	Program Counter [7~0]
ROMpage	03.6	R/W	0	Program ROM Page Select (STATUS.6)
RAMbank	03.4	R/W	0	SRAM Bank Select (STATUS.4)
Z	03.2	R/W	0	Zero Flag (STATUS.2)
DC	03.1	R/W	0	Decimal Carry Flag or Decimal /Borrow Flag (STATUS.1)
C	03.0	R/W	0	Carry Flag or /Borrow Flag (STATUS.0)
FSR	04.6~0	R/W	0	File Select Register to define Address in indirect addressing mode
PBD	06.7~0	R/W	ff	Port B output datalatch / pin
PDD	0D.7~0	R/W	ff	Port D output datalatch / pin / comparator dataindata
GPR0	0E.7~0	R/W	-	General Purpose Register 0
GPR1	0F.7~0	R/W	-	General Purpose Register 1
ENUSB	10.7	R/W	0	USB function enable (1)
USBadr	10.6~0	R/W	0	USB device address
RC0int	11.7	R/W	0	Endpoint 0 Receive Interrupt flag, write 0 to clear flag.
TX0int	11.6	R/W	0	Endpoint 0 Transmit Interrupt flag, write 0 to clear flag.
TX1int	11.5	R/W	0	Endpoint 1 Transmit Interrupt flag, write 0 to clear flag.
RSTint	11.3	R/W	0	USB Bus Reset Interrupt flag, write 0 to clear flag.
SUSPint	11.2	R/W	0	USB Suspend Interrupt flag, write 0 to clear flag.
WKTint	11.1	R/W	0	Wake-up timer (50ms) Interrupt flag, write 0 to clear flag.
RSMint	12.3	R/W	0	USB Resume Interrupt flag, write 0 to clear flag.
PB0int	12.1	R/W	0	PB0 interrupt flag, write 0 to clear flag.
T0int	12.0	R/W	0	Timer0 Interrupt flag, write 0 to clear flag.
Susp	13.7	R/W	0	F/W force USB interface to go into suspend mode.
RsmO	13.6	R/W	0	F/W force USB interface send Resume signal in suspend mode.
EP1cfg	13.5	R/W	0	Set Endpoint 1 configuration.
CtrlRD	13.3	R/W	0	H/W will stall an invalid OUT token during Control Read transfer.
RC0rdy	13.0	R/W	0	Endpoint 0 ready for receive, clear by H/W while RC0int occurs.
RC0tgl	14.7	R		1: received DATA1 packet; 0: received DATA0 Packet.
RC0err	14.6	R		Endpoint 0 received data error.
EP0dir	14.5	R		1: IN transfer; 0: OUT/SETUP transfer.
EP0set	14.4	R		SETUP Token indicator.
RC0cnt	14.3~0	R		Received data byte count.
TX0rdy	15.7	R/W	0	Endpoint 0 ready for transmit, clear by H/W while TX0int occurs.
TX0tgl	15.6	R/W	0	Endpoint 0 transmit DATA1/DATA0 packet.
EP0stall	15.5	R/W	0	Endpoint 0 will stall OUT/IN packet while this bit is 1.
TX0cnt	15.3~0	R/W	0	Endpoint 0 transmit byte count.
TX1rdy	16.7	R/W	0	Endpoint 1 ready for transmit, clear by H/W while TX1int occurs.
TX1tgl	16.6	R/W	0	Endpoint 1 transmit DATA1/DATA0 packet.
EP1stall	16.5	R/W	0	Endpoint 1 will stall IN packet while this bit is 1.
TX1cnt	16.3~0	R/W	0	Endpoint 1 transmit byte count.
RC0FIFO	18~1F	R		Endpoint 0 Receive Buffer (8 Bytes)
SRAM	20~7F	R/W	-	Internal RAM (96 Bytes x 2 Banks)

MEMORY MAP of R-Plane

Name	Address	R/W	Rst	Description
TORLD	01.7~0	W	0	Timer0 overflow reload value
TOPSCLE	02.3~0	W	0	Timer0 Pre-Scale, 0:divided by 2, 1:divided by 4, ... 7:divided by 256, 8:divided by 1, Time base is 2xinstruction cycles.
PWRdwn	03	W	0	Write this register to enter Power-Down Mode
WDTe	04	W	0	Write this register to clear WDT and enable WDT
CLRWKT	08	W	0	Write this register to clear Wake-up Timer
PDHSC	0E.7~0	W	0	Port D pin in High sink current mode, PD[7:6]:16mA/50mA, PD[5:0]:8mA/30mA
PD7MODE	0D.7~6	W	0	00:Pseudo open-drain, 01:Push-Pull output, 10:input from pin
PD6MODE	0D.5~4	W	0	00:Pseudo open-drain, 01:Push-Pull output, 10:input from pin
PD5MODE	0D.3~2	W	0	00:Pseudo open-drain, 01:Push-Pull output, 10:input from pin
PD4MODE	0D.1~0	W	0	00:Pseudo open-drain, 01:Push-Pull output, 10:input from pin
PD3MODE	0C.7~6	W	0	00:Pseudo open-drain, 01:Push-Pull output, 10:input from pin, 11:input from comparator
PD2MODE	0C.5~4	W	0	00:Pseudo open-drain, 01:Push-Pull output, 10:input from pin, 11:input from comparator
PD1MODE	0C.3~2	W	0	00:Pseudo open-drain, 01:Push-Pull output, 10:input from pin, 11:input from comparator
PD0MODE	0C.1~0	W	0	00:Pseudo open-drain, 01:Push-Pull output, 10:input from pin, 11:input from comparator
TESTreg	0F.3~0	W	0	Test Mode control, keep 0 in normal mode
TX0FIFO	18~1F	W	-	Endpoint 0 Transmit Buffer (8 Bytes)
TX1FIFO	20~27	W	-	Endpoint 1 Transmit Buffer (8 Bytes)
RC0ie	11.7	W	0	RC0 Interrupt enable
TX0ie	11.6	W	0	TX0 Interrupt enable
TX1ie	11.5	W	0	TX1 Interrupt enable
RSTie	11.3	W	0	USB Reset Interrupt enable
SUSPie	11.2	W	0	Suspend Interrupt enable
WKTie	11.1	W	0	WKT Interrupt enable
ALCe	12.5	W	0	Auto Level control enable(1:enable)
PS2kbd	12.4	W	0	Select PS2 Mode (1:PS2)
RSMie	12.3	W	0	RSM Interrupt enable
PB0ie	12.1	W	0	PB[0] Interrupt enable
T0ie	12.0	W	0	Timer 0 Interrupt enable

ABSOLUTE MAXIMUM RATINGS

GND= 0V

Name	Symbol	Range	Unit
Maximum Supply Voltage	VDD	-0.3 to 5.5	V
Maximum Input Voltage	Vin	-0.3 to VDD+0.3	V
Maximum output Voltage	Vout	-0.3 to VDD+0.3	V
Maximum Operating Temperature	Topg	-5 to +70	°C
Maximum Storage Temperature	Tstg	-25 to +125	°C

RECOMMEND OPERATING CONDITION

at Ta=-20°C to 70°C,GND= 0V

Name	Symb.	Min.	Max.	Unit
Supply Voltage	VDD	4.5	5.5	V

DC ELECTRICAL CHARACTERISTICS

at Ta=25 °C,VDD=5.0V, VSS= 0V,

Name	Symb.	Min.	Typ.	Max.	Unit	Condition	Note
Operating current	Icc		10		mA	Fosc=6MHz	No load
Internal clock frequency	Fosc1	4		8	MHz		
	Fosc2	5.91	6.0	6.09	MHz	USB Mode	
Suspend current	Isus		360		uA		
PB Output High Voltage	Vboh1		4.5		V	Ioh=5mA	
	Vboh2		4.0		V	Ioh=30uA	
	Vboh3		4.5		V	Ioh=18mA	PB[3:2](PS2 mode)
PB Output Low Voltage	Vbol1		0.4		V	Iol=15mA	
	Vbol2		0.4		V	Iol=20mA	PB[3:2](PS2 mode)
PB Input High Voltage	Vbih	2.0			V		
PD Output High Voltage	Vdoh1		4.5		V	Ioh=5mA	PD push-pull
	Vdoh2		4.0		V	Ioh=30uA	
PD Output Low voltage	Vdol1		0.4		V	Iol=8mA	PD[5:0] low sink
	Vdol2		0.4		V	Iol=16mA	PD[7:6] low sink
	Vdol3		0.4		V	Iol=30mA	PD[5:0] high sink
	Vdol4		0.4		V	Iol=50mA	PD[7:6] high sink
PD Input High Voltage	Vdih	3.0			V		
Low Voltage Detector	Vlvd		3.0		V		

USB TIMING / ELECTRICAL CHARACTERISTICS

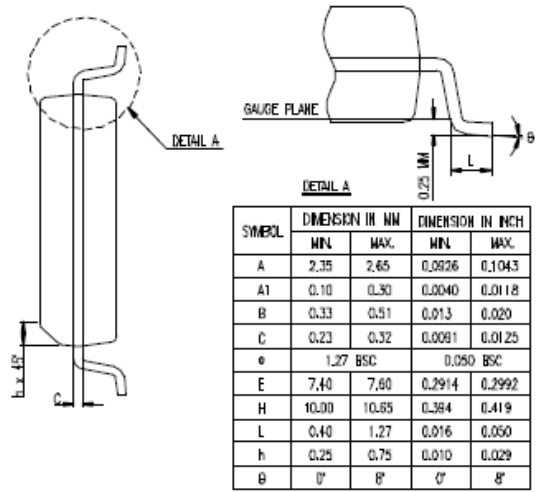
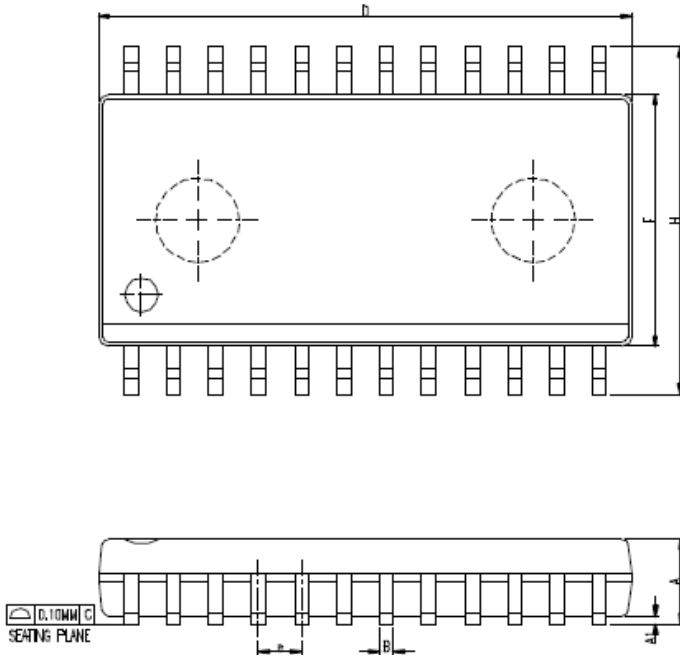
At Ta=25 °C, VDD=5.0V, VSS= 0V, Fosc=6MHz

Name	Symb.	Min.	Max.	Unit	Note
DP/DM rising time	Trise	75	300	ns	C _L =390pF
DP/DM falling time	Tfall	75	300	ns	C _L =390pF
DP,DM cross point	V _x	1.3	2.0	V	
V33 output voltage	Vreg	3.2	3.4	V	
DM internal pull-high resistor		1.425	1.575	Kohm	

Note: All USB transceiver characteristics can meet USB1.1 spec.

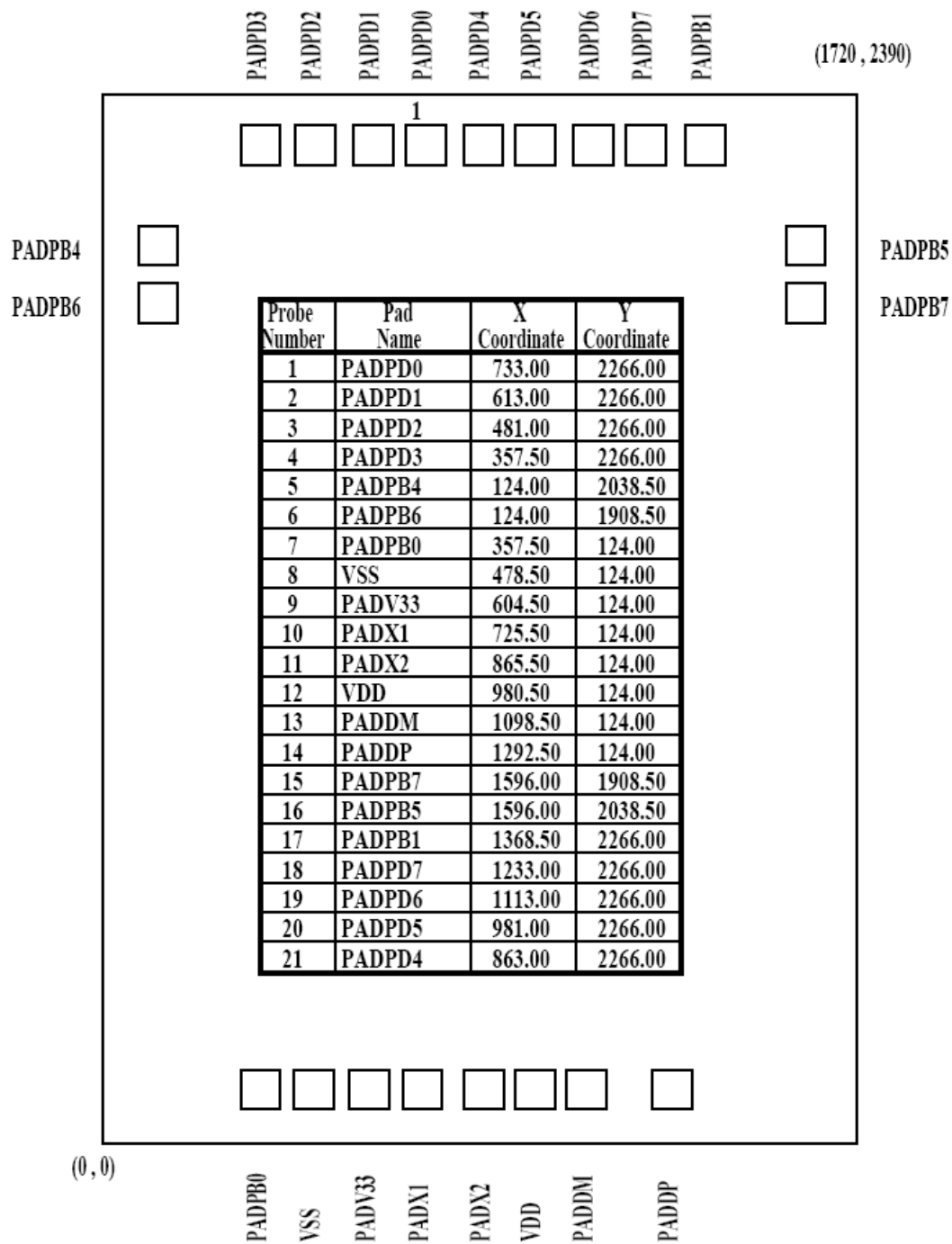
Package Diagrams

20 / 24 PIN SOP



N	D DIMENSION (IN MM)		D DIMENSION (IN INCH)		JEDEC
	MIN.	MAX.	MIN.	MAX.	
20	12.60	13.00	0.4961	0.5118	NS-01.3 (AC)
24	15.20	15.60	0.5985	0.6141	NS-01.3 (AD)
28	17.70	18.10	0.6968	0.7125	NS-01.3 (AE)

Bonding Diagram (TMU3102MS)



Ordering Information

The ordering information:

Ordering number	Package
TMU3102MS-COD	Wafer / Dice with code